

WWW.AJANTAMANUFACTURER.COM

AJANTA

FASTNERS

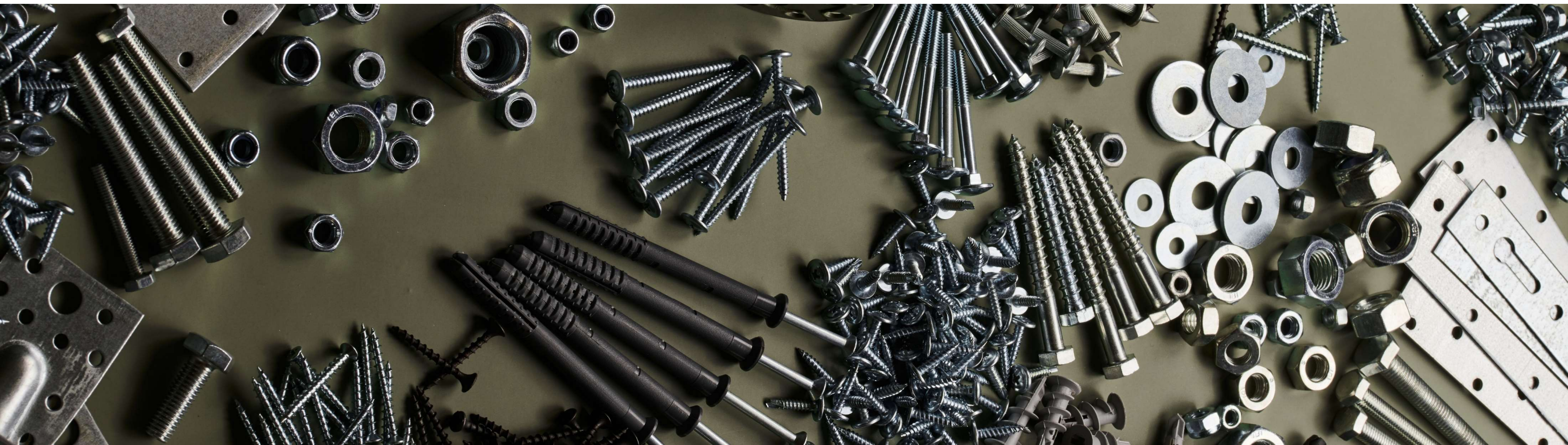


WELCOME TO Our Company

OUR COMPANY MANUFACTURE ALL TYPES OF FASTNERS & CONSTRUCTION BOLTS SINCE 2004. WE ARE EXPERT IN MANUFACTURE ALL BOLTS, NUTS, WASHERS, SPECIAL PURPOSED BOLTS SINCE MANY YEARS.

BOX BOLT, CONSTRUCTION BOLTS & ACCESSORIES ALSO MANUFACTURED BY COMPANY TO FULFILL REQUIREMENT IN INFRACTURE AND DEVELOPMENT IN WORLD.





OUR KEY WORK



WE MANUFACTURE

WE MANUFACTURE ALL
TYPES OF FASTNERS OF
INDUSTRIAL AND
INFRASTRUCTURE
INDUSRY



WE DEVELOP

WE CAN DEVELOP AS
PER YOUR
REQUIREMENTS
DRAWINGS AND
SAMPLES.



WE PROVIDE

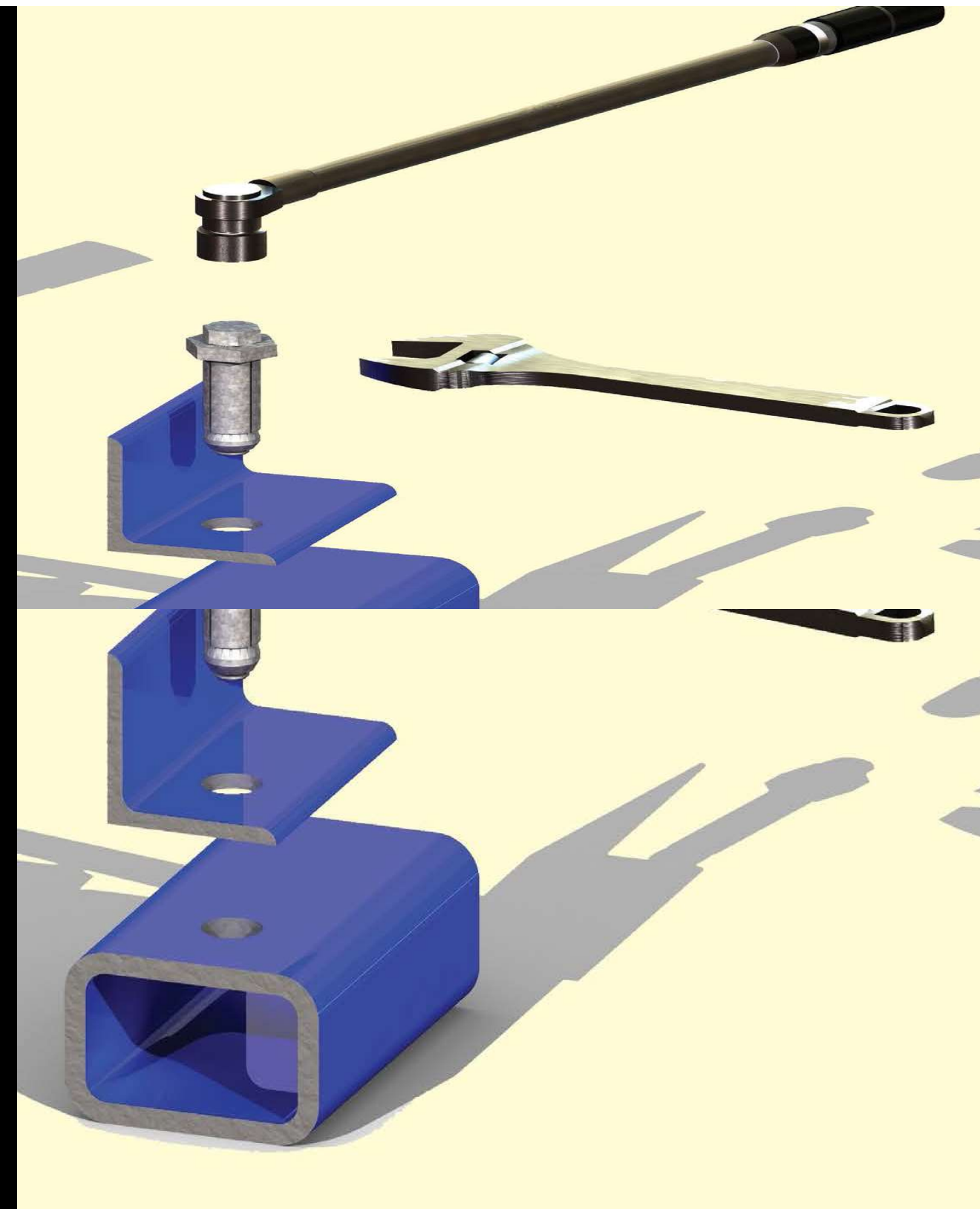
WE CAN PROVIDE
PRODUCT ALL OVER
WORLD.

BOX BOLT



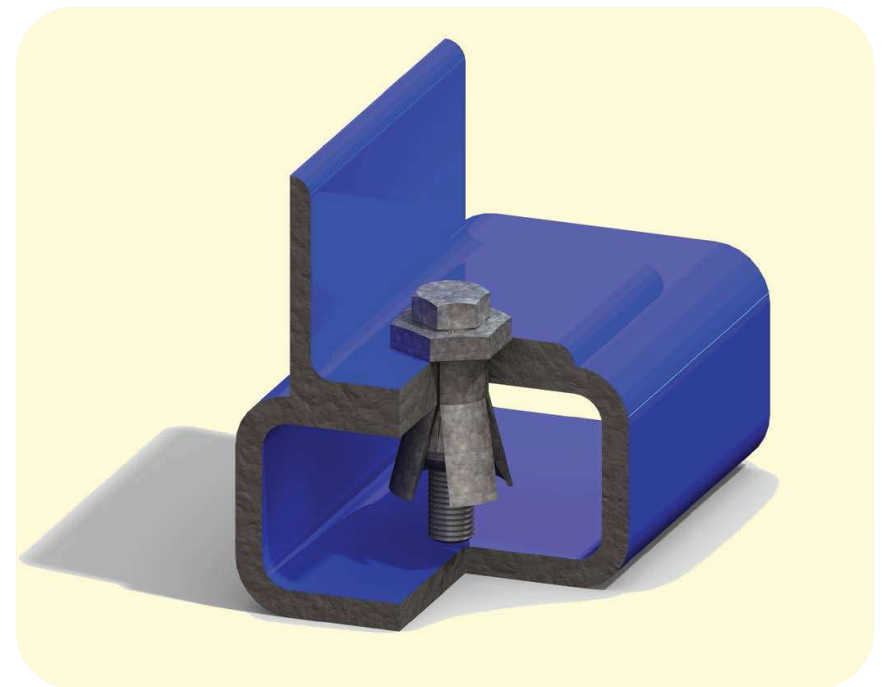
Box-Bolt is a fully tested and approved blind connection solution for connecting to hollow section steel or where access is restricted to one side only. The Box-Bolt is suitable for use with rectangular, square and even circular hollow sections

The Box-Bolt is available in three finishes; Zinc Plated for the less aggressive environments, Hot Dip Galvanized for the more aggressive environments, and Stainless Steel for the most demanding of applications. These finishes combined with three lengths of Box-Bolt make it extremely flexible to suit its environment and application.





SIZE APPLICATION



AVAILABLE SIZE

- M6 TO M20 AS STANDARD SIZE
- OTHER SPECIFIED SIZES AS PER REQUIREMENT

MODIFIED WALL JOINTS

- SAME AS BOX BOLT WE PROVIDES WALLJOINTS AS WELL





HEX BOLTS

AVAILABLE SIZE



- M4 TO M80
- UNC/ UNF THREADING / CUSTOMIZED

THREADING TYPE



- HALF THREADING
- FULL THREADING

MATERIAL SPECIFICATION



- MILD STEEL / STAINLESS STEEL
- MONEL/ NICKLE/ TITANIUM/ OTHER CUSTOMIZED



ALLEN BOLTS

AVAILABLE SIZE



- M4 TO M80
- UNC/ UNF THREADING / CUSTOMIZED

THREDDING TYPE



- HALF THREADING
- FULL THREADING

MATERIAL SPECIFICATION



- MILD STEEL / STAINLESS STEEL
- MONEL/ NICKLE/ TITANIUM/ OTHER CUSTOMIZED



CSK BOLTS

AVAILABLE SIZE



- M4 TO M80
- UNC/ UNF THREADING / CUSTOMIZED

THREDDING TYPE



- HALF THREADING
- FULL THREADING

MATERIAL SPECIFICATION



- MILD STEEL / STAINLESS STEEL
- MONEL/ NICKLE/ TITANIUM/ OTHER CUSTOMIZED



CARRIAGE BOLTS

AVAILABLE SIZE



- M4 TO M80
- UNC/ UNF THREADING / CUSTOMIZED

THREDDING TYPE



- HALF THREADING
- FULL THREADING

MATERIAL SPECIFICATION



- MILD STEEL / STAINLESS STEEL
- MONEL/ NICKLE/ TITANIUM/ OTHER CUSTOMIZED



SCREWS

AVAILABLE SIZE



- M4 TO M80
- UNC/ UNF THREADING / CUSTOMIZED

THREDDING TYPE



- HALF THREADING
- FULL THREADING

MATERIAL SPECIFICATION



- MILD STEEL / STAINLESS STEEL
- MONEL/ NICKLE/ TITANIUM/ OTHER CUSTOMIZED

SPECIALIZED BOLTS



CUSTOMIZED AS PER REQUIREMENT

WE CAN PROVIDE YOU A CUSTOMIZED BOLTS AS PER REQUIREMENT. DRAWING OR SAMPLES NEEDED FOR MANUFACTURE THESE BOLTS. AS PER NEED OF CUSTOMER WE CAN DELIVER QUANTITIES AND PRODUCTS.



HEX NUTS



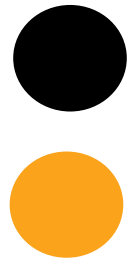
SIZE

- SIZE : M4 TO M80
- BSP, INCH OTHER

MATERIAL

- MILD STEEL/STAINLESS STEEL
- NICKLE/MONEL/OTHER SPECIFIED

OTHER FASTENERS



WAHSERS

-SPRING & SPRIAL
WASHERS IN ALL
MATERIAL



CUSTOMIZED SCREW

-ALL TYPES OF
HEAD SCREWS



WALL PLUGS

-ALL SERIES OF
WALL PLUGS



ALLEN KEY

-IN MATRIC THREAD
AND INCH AVAILABLE



CONTACT US



MOB : +91 7819999927 / 7819999975

EMAIL : Ajanta.industries16@gmail.com

WEBSITE : www.Ajantamanufacturer.com